

HIGH CAPACITY WALL FREEZER (R-290)



Item #:
Project:
Quantity:

MODEL NUMBER

18007462 High Capacity Wall Freezer (R-290)

PRODUCT OVERVIEW

Franke High Capacity Wall Freezers have a forced air design utilizing environmentally safe R-290 propane refrigerant that allows for a more consistent temperature throughout the cabinet, allowing for quicker recovery and extended product life. The front breathing design allows for zero clearance applications. Automatic defrost means significant energy savings and less clean up necessary.

STANDARD PRODUCT FEATURES

- Heavy duty stainless steel structure makes cleaning easy
- Forced air refrigeration system utilizing environmentally safe R-290 (propane) refrigerant
- 7.3 cubic feet of product storage, 66% more than previous generation of wall freezers
- Easy-to-read LED digital temperature display simplifies temperature management
- Flexible shelving options offer improved support for additional menu items
- Field reversible doors are adaptable to any kitchen configuration

HIGH CAPACITY WALL FREEZER (R-290)



Franke Foodservice Solutions Inc
800 Aviation Parkway
Smyrna, TN 37167
Tel +1-877-379-3769
franke.com

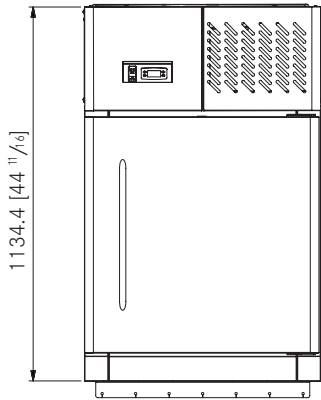
Approval _____

Make it wonderful

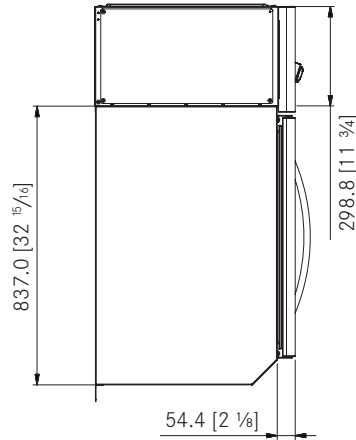


HIGH CAPACITY WALL FREEZER (R-290)

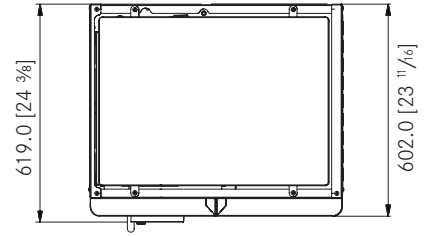
FRONT VIEW



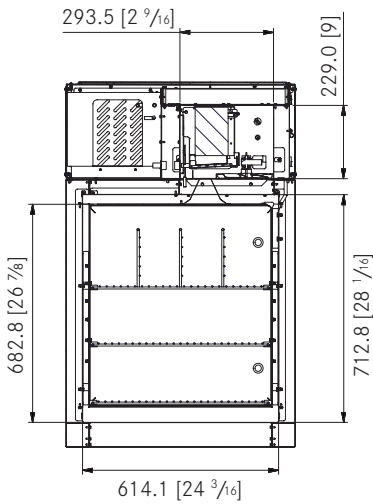
SIDE VIEW



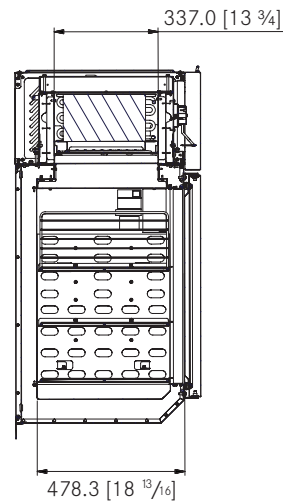
TOP VIEW



FRONT VIEW (INTERIOR)



SIDE VIEW (INTERIOR)



DIMENSIONS

Width	28.08"	713.3 mm
Depth	23.68"	602.0 mm
Height	44.68"	1134.4 mm

ELECTRICAL

Voltage/Frequency/Phase	115V/60Hz/1Ph	
Amp Load	5.0 Amp load draw	
Power Supply	10' Power Cord & NEMA 5-15 Plug	



REFRIGERATION

Refrigerant	R-290 (Propane)
Refrigerant weight	3.5 oz

OPERATING TEMPERATURE RANGE

High Capacity Wall Freezer	-10 to 0°F	-23 to -18°C
----------------------------	------------	--------------

 RECYCLE DOCUMENTS AND EQUIPMENT RESPONSIBLY

© 2018 Franke Foodservice Solutions, Inc. This media is the confidential and proprietary property of Franke Foodservice Solutions, Inc. and shall not be reproduced in any form of media without the express written permission of a Franke representative. Due to continuous product development, Franke reserves the right to make changes in design and specifications without prior notice. Under license Franke Technology and Trademark Ltd., Switzerland. Printed in USA. Document Part # 19011712, Rev. A, October 11, 2018

Make it Wonderful

