

OPERATION & INSTALLATION MANUAL

HIGH CAPACITY WALL FREEZER

MODEL:	HCWF-P
PART NUMBER:	18014457







High Capacity Wall Freezer

MAKE IT WONDERFUL



IMPORTANT SAFETY INFORMATION

EXPLANATION OF SAFETY AND NOTICE SYMBOLS

	DANGER indicates a hazardous situation which, if not avoided, WILL result in death or serious injury.
	WARNING indicates a hazardous situation which, if not avoided, COULD result in death or serious injury.
	CAUTION indicates a hazardous situation which, if not avoided, could result in minor or moderate injury.
	NOTICE is used to address practices not related to physical injury.

READ AND SAVE THESE INSTRUCTIONS

DANGER

Energized electrical circuits present a life-threatening hazard of electric shock, explosion, or arc flash.

- NEVER hose down unit or clean with water jet.
- ALWAYS disconnect unit from power IMMEDIATELY if bare wires or other electrical conductors are exposed.
- ALWAYS ensure all electrical circuits are disconnected and discharged, with an appropriately rated voltage detecting device, before performing service, maintenance, or installation work.
- ALWAYS follow all national and local standards, laws, and codes, as well as all applicable safe electrical work practices.

Failure to follow these safety instructions WILL result in death or serious injury.

Refrigeration systems that use R-290 (Propane) present a life-threatening hazard of fire or explosion. All refrigeration systems present a hazard of flash freezing and oxygen displacement.

- ONLY defrost unit naturally to avoid puncture or damage to the refrigeration circuit.
- ALWAYS perform repairs on the unit in a well ventilated area, away from any source of ignition.
- ALL service work MUST be performed ONLY by factory-authorized service personnel following all national, local, or other applicable refrigerant safe handling work practices, standards, laws, and codes.

- ONLY use original equipment manufacturer (OEM) components designed for use in R-290 refrigeration systems when servicing, to minimize the risk of ignition from incorrect parts or improper service.
- ALWAYS use caution when handling or moving refrigerated equipment to avoid damage to the refrigeration tubing so as to minimize the risk of leaks.
- ALWAYS read the unit's operation and service manuals completely before performing service work.
- ALWAYS use caution when handling refrigeration discharge lines because they are hot and can burn.
- ALWAYS wear appropriate personal protective equipment (PPE) when servicing equipment.

Failure to follow these safety instructions WILL result in death or serious injury.

WARNING

Unauthorized modifications or repairs pose a hazard in the form of an improperly functioning unit.

- ONLY for commercial use.
- NEVER make ANY modifications to the unit that are not authorized by documentation provided by Franke.
- NEVER remove any labels from the unit.
- ALWAYS replace ANY labels that have been removed or damaged IMMEDIATELY.
- ONLY use original equipment manufacturer (OEM) parts when service, maintenance, or installation work is performed.

IMPORTANT SAFETY INFORMATION

-NEVER operate with factory installed parts or components removed.

-NEVER use for other than intended use.

Failure to follow these safety instructions COULD result in death or serious injury.

These instructions are intended for qualified persons ONLY. Use by others creates an unsafe condition.

-ONLY persons who are certified technicians or trades persons with the requisite knowledge, skills, ability, and training, MUST perform service or installation work.

-ALWAYS keep out of the reach of children.

-ONLY allow access to unit by trained personnel who have read this manual.

Failure to follow these safety instructions COULD result in death or serious injury, as well as property damage or void of warranty.

CAUTION

Lifting and transporting heavy objects poses a hazard of injury.

-NEVER lift or move equipment without proper tools or assistance.

Failure to follow these safety instructions COULD result in minor to moderate injury.

Steel surfaces may have sharp edges which pose a hazard of injury

-ALWAYS wear appropriate personal protective equipment (PPE) when moving or handling equipment.

Failure to follow these safety instructions COULD result in minor to moderate injury.

NOTICE

NEVER use inappropriate tools, processes, or procedures. Damage to components of unit can occur.

-Follow these instructions EXACTLY to avoid property damage or void of warranty.

NEVER discard any loose parts received with unit. They may be required for proper and safe installation and operation.

TABLE OF CONTENTS

Important Safety Information	2
Key Components	5
Overview	5
Installation	6
Installing the HCWF-P.....	6
Reversing the Freezer Door	10
Controls & Settings	12
Power ON/OFF Switch	12
Factory Preset Temperature and Adjustable Range.....	12
Unit Temperature Adjustment	12
Manual Defrost.....	13
Operation	13
Shelf Positioning.....	13
Product Loading Guidelines.....	15
Troubleshooting	16
Warranty	17
Notes	18

KEY COMPONENTS

Overview

The High Capacity Wall Freezer (HCWF-P) is a compact freezer designed for short-term storage of frozen product, providing quick access near the point-of-use. Designed to be wall-mounted near the Fryer Station to save space, the HCWF-P is currently available in a 28" wide, single door model.

The freezer compartment has two wireform shelves that slide into right and left shelf supports that provide six shelf height positions. The HCWF-P also features a reversible freezer door, easy-to-clean stainless steel surfaces throughout, and a digital temperature controller for monitoring the current temperature of the unit.

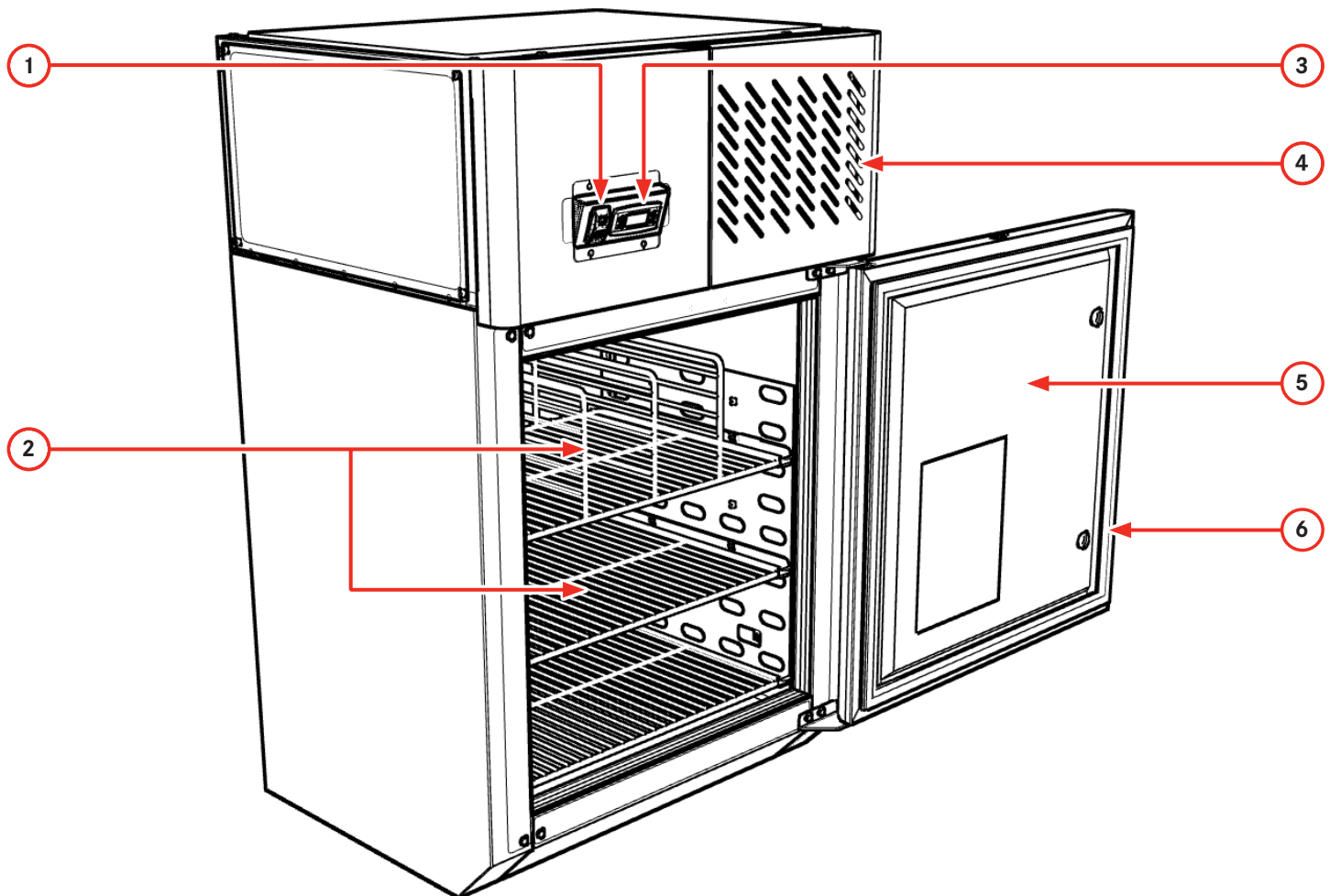


Fig. 1

ITEM	PART NAME	QTY
1	Power ON/OFF Switch	1
2	Adjustable Wire Shelves	2
3	Digital Temperature Controller	1
4	Condenser Coil Access Panel	1
5	Freezer Door (Hinged Right)	1
6	Freezer Door Gasket	1

Table 1

INSTALLATION

Installing the HCWF-P

NOTICE

IMPORTANT INSTALLATION INFORMATION

Remove all tape, protective film, and foam blocking from the unit before installation. Wash, rinse, and sanitize wire shelves before use.

High Capacity Wall Freezers (HCWF-P) are designed for wall installation to either left or right side of fry station. Unit must be installed within 10' of an appropriately rated electrical receptacle, per the specifications listed on the unit's data label.

Mounting wall MUST be capable of supporting at least 100 lbs (45 kg) of weight per linear foot. If drywall construction is evident at installation location, wall MUST be reinforced with minimum ½" thick plywood. Securely anchor plywood to a minimum of two (2) wall studs.

STEP 1

Locate steel offset mounting strip supplied with unit. Mounting strip is designed for engage full width of HCWF-P top-rear flange (Fig. 2).

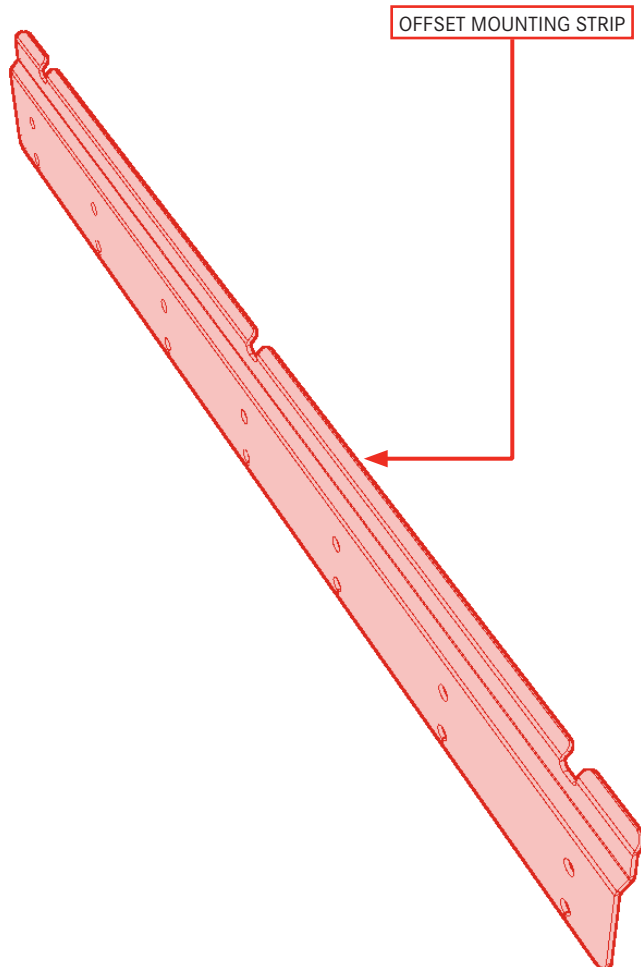


Fig. 2

STEP 2

Measuring up 80" from the finished kitchen floor, locate center point of intended freezer mounting position on the wall (Fig. 3).

NOTICE

IMPORTANT INSTALLATION INFORMATION

If installing the HCWF-P above a 2-Drawer Refrigerator, Combo Cooler/Freezer, or Convertible Cooler/Freezer, measure 77" above finished kitchen floor.

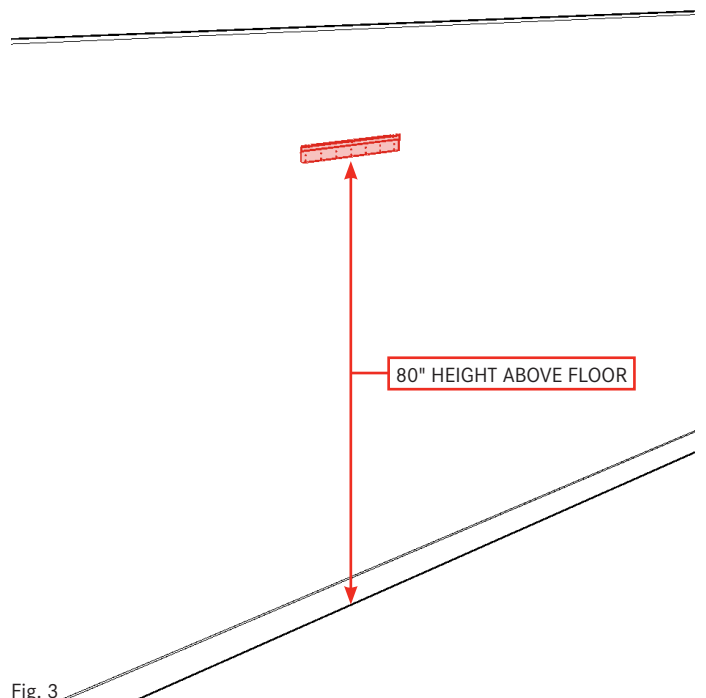


Fig. 3

STEP 3

Place bottom of mounting strip against kitchen wall at measured height and offset from center mark. Level mounting strip and mark location of screw holes pre-drilled into strip (Fig. 4). Remove strip and drill pilot holes into marked locations.

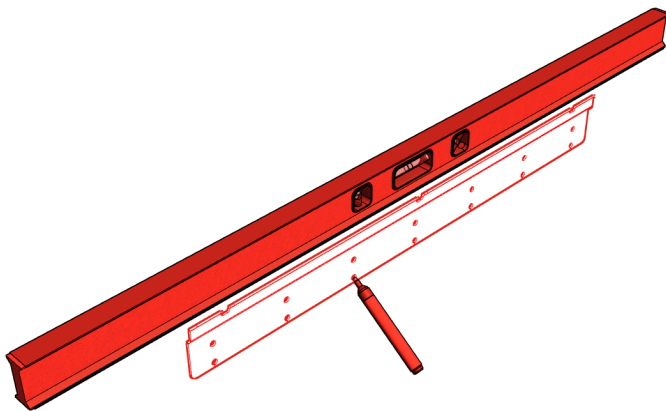


Fig. 4

STEP 4

Secure mounting strip to wall using hardware appropriately rated to wall materials and weight-bearing requirements noted on page 4 (Fig. 5).

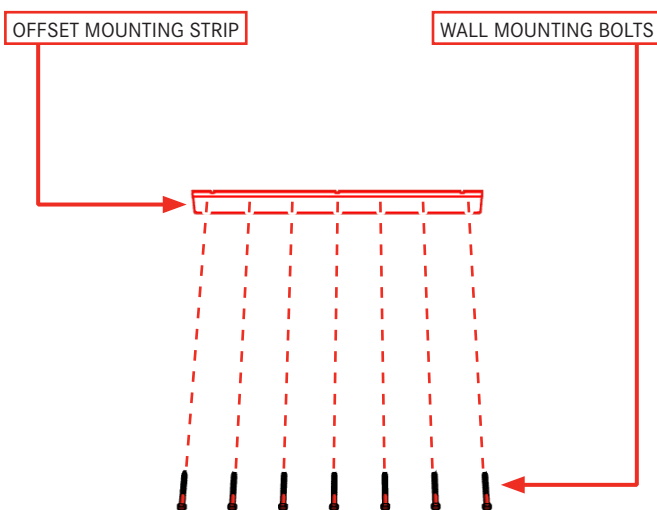


Fig. 5

STEP 5

⚠ CAUTION

LIFTING HAZARD

Use appropriate help, tools, and techniques when lifting or moving heavy objects.

With appropriate assistance, lift HCWF-P to a height that clears previously installed mounting strip. Lower freezer until top-rear flange of freezer rests completely on mounting strip. Continue to support weight of freezer (Fig. 6).

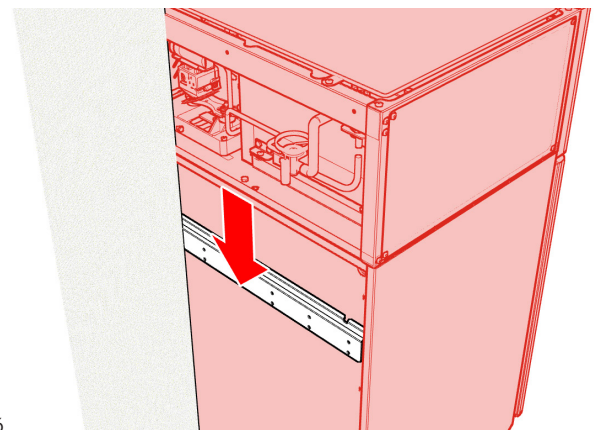


Fig. 6

STEP 6

While continuing to support freezer, install supplied L-shaped bracket against wall and flush to freezer bottom. Fasten bracket with provided mounting screws (Fig. 7).

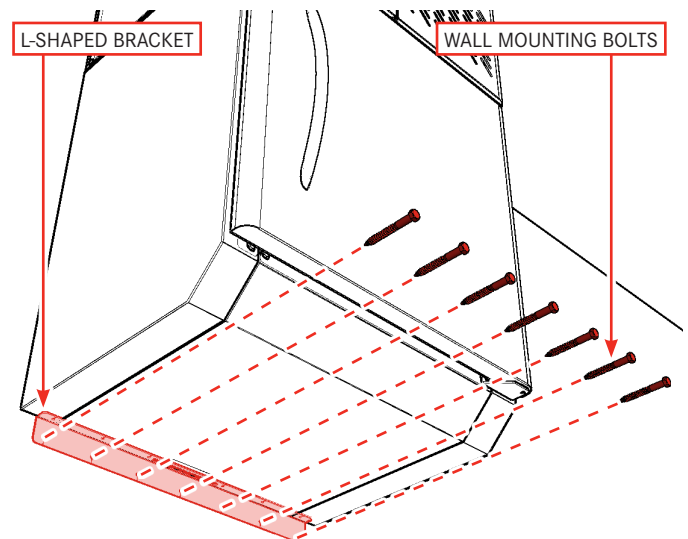


Fig. 7

INSTALLATION

STEP 7

Install three (3) appropriately-rated mounting screws, based on wall materials and weight-bearing requirements noted on page 4, through HCWF-P top brace (Fig. 8). Drill pilot holes as needed.

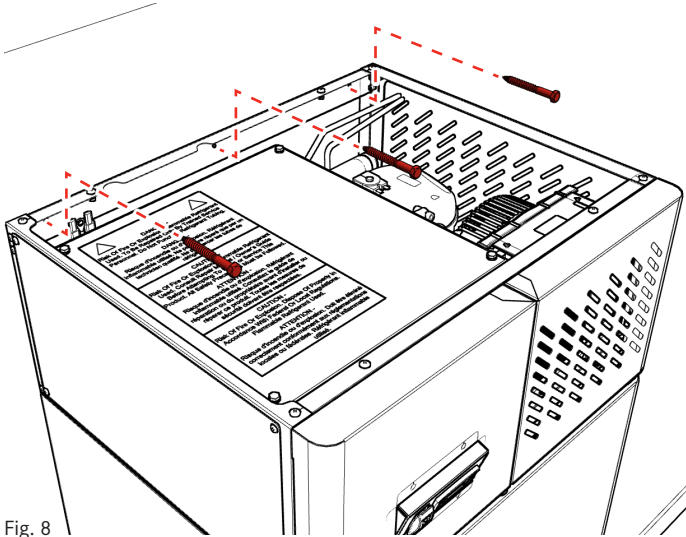


Fig. 8

STEP 8

Span strut channel across two (2) ceiling trusses, above drop ceiling (Fig. 9).

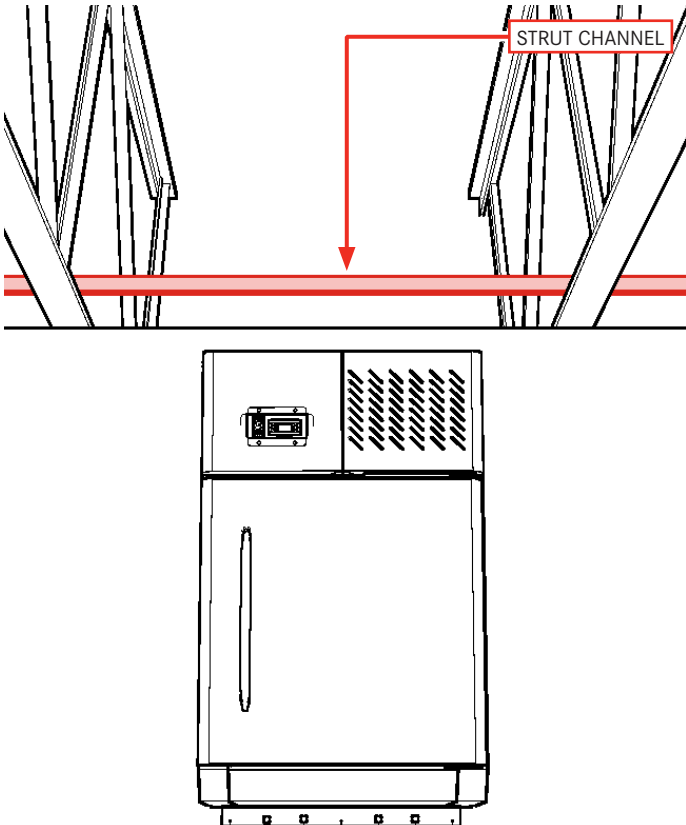


Fig. 9

STEP 9

Screw all-thread support rod into nutsert attached at top of freezer compartment, behind evaporator housing (Fig. 10).

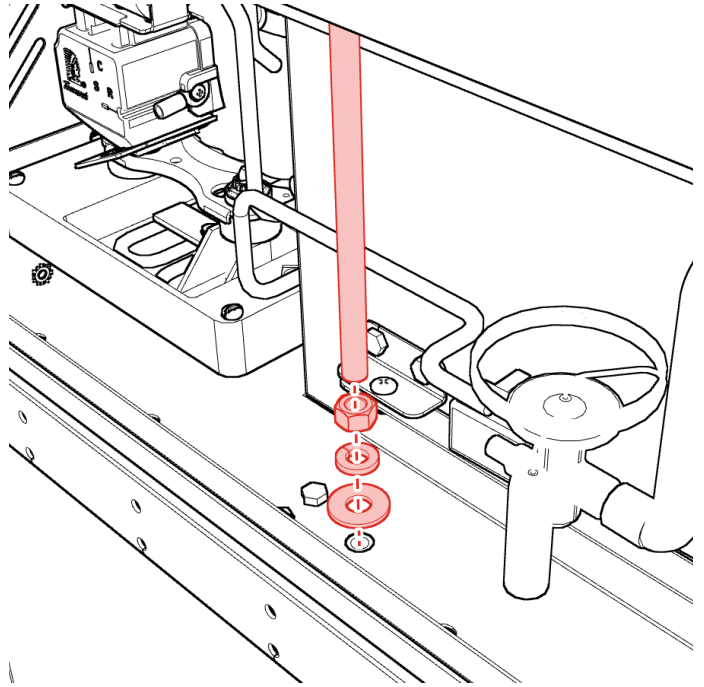


Fig. 10

STEP 10

Secure other end of all-thread rod to strut channel, using supplied hardware (Fig. 11).

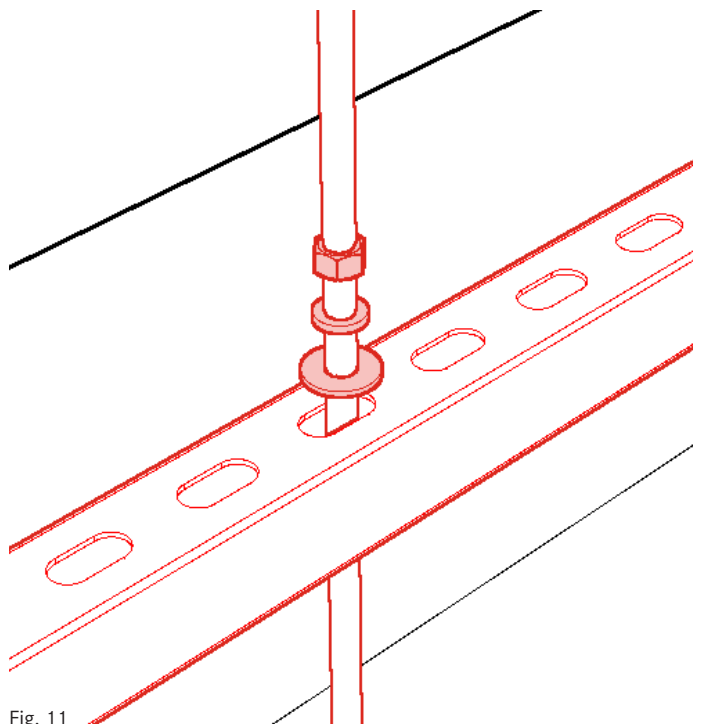


Fig. 11

STEP 11

Cover exposed all-thread rod using provided length of split plastic tubing. Trim tubing as needed (Fig. 12).

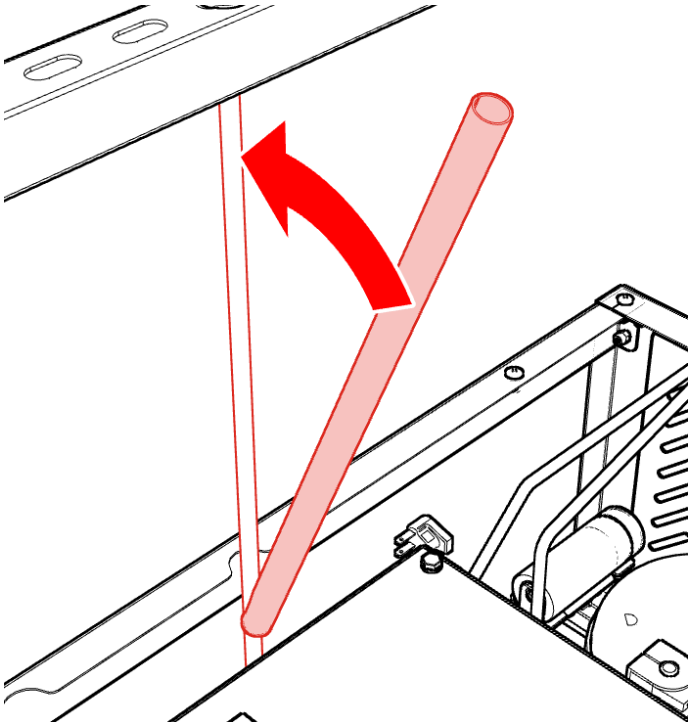


Fig. 12

STEP 12

Uncoil power cord from within evaporator housing. Plug unit into appropriately-rated electrical receptacle, per specifications noted on unit data label (Fig. 13). Restrain excess cord length using plastic wire ties.

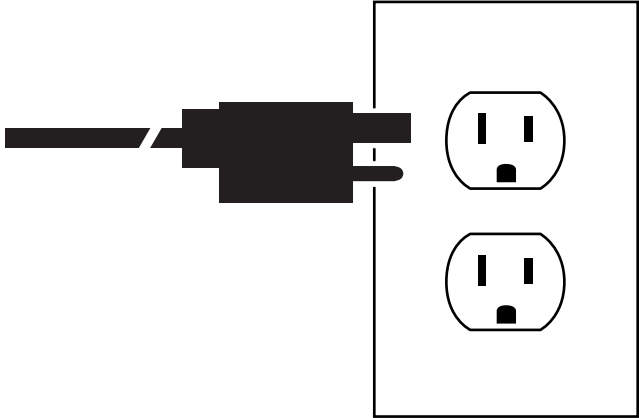


Fig. 13

STEP 13

Wash, rinse, and sanitize wire shelves as noted on page 4. Clean all interior and exterior surfaces of unit with a store approved cleaning and sanitizing solutions and clean, sanitized towels. Place clean, dry shelves at desired heights within freezer compartment (Fig. 14).

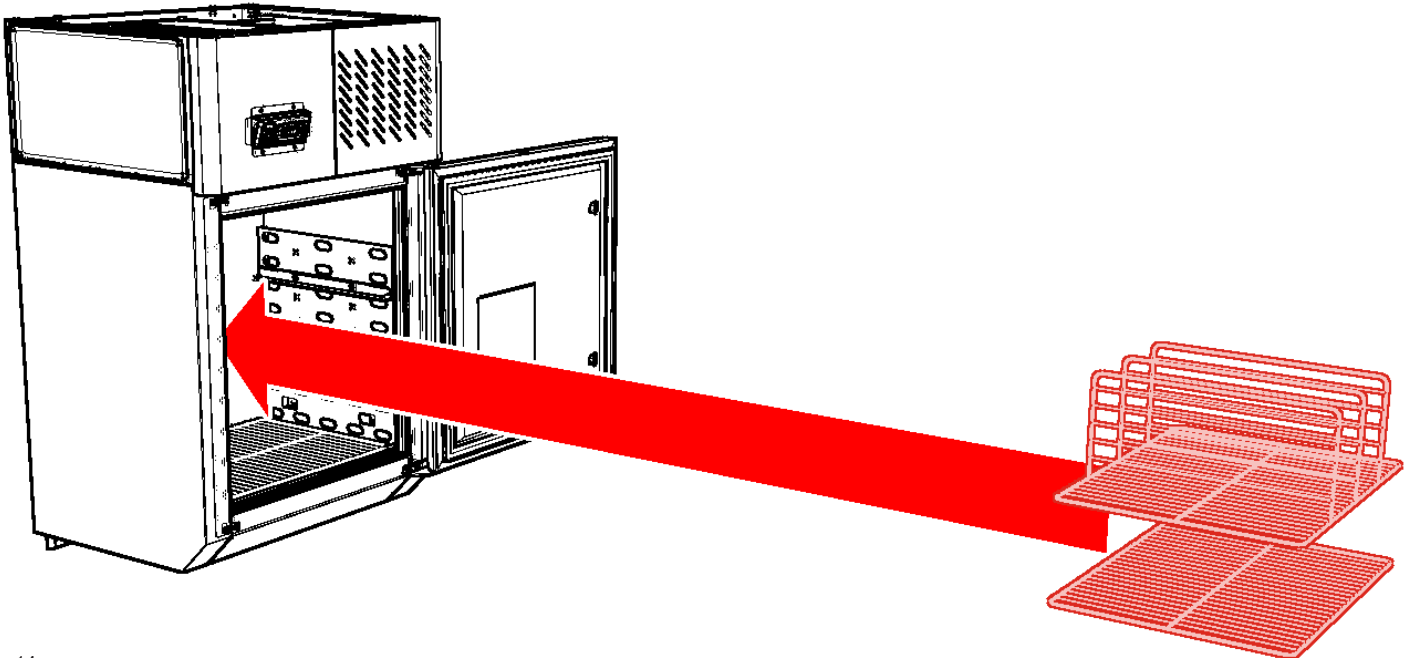


Fig. 14

INSTALLATION

Reversing the Freezer Door

⚠ CAUTION

RISK OF PERSONAL INJURY

Use caution when removing door to avoid dropping heavy components onto feet.

The HCWF-P freezer door is field-reversible and designed for right- or left-handed swing. Use the following procedure to reverse the door if required due to installation location.

STEP 1

Hold freezer door open. Remove two (2) screws fastening bottom-right hinge to front of unit (Fig. 15). Reinstall screws into empty holes.

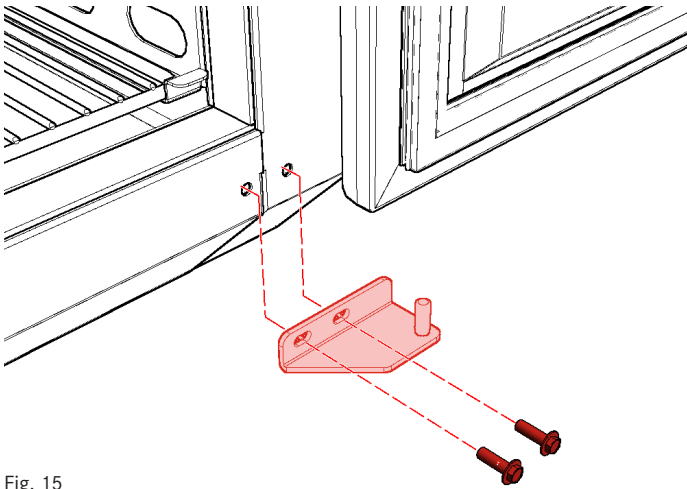


Fig. 15

STEP 2

Remove freezer door from top-right hinge (Fig. 16). Set door aside for later re-installation.

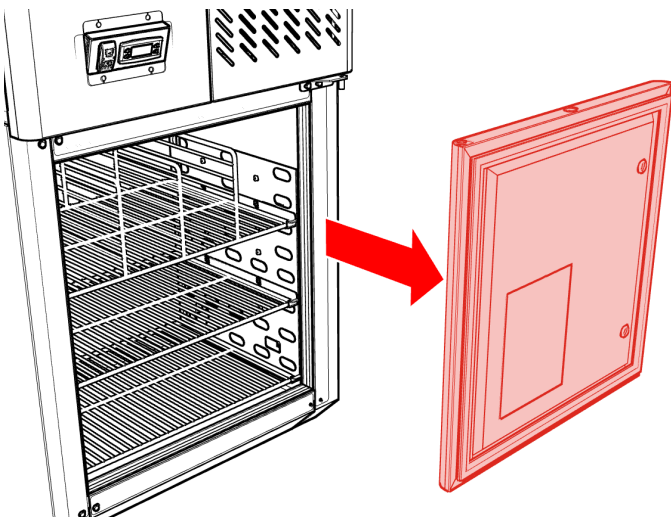


Fig. 16

STEP 3

Remove two (2) screws fastening top-right hinge to front of unit (Fig. 17). Reinstall screws into empty holes.

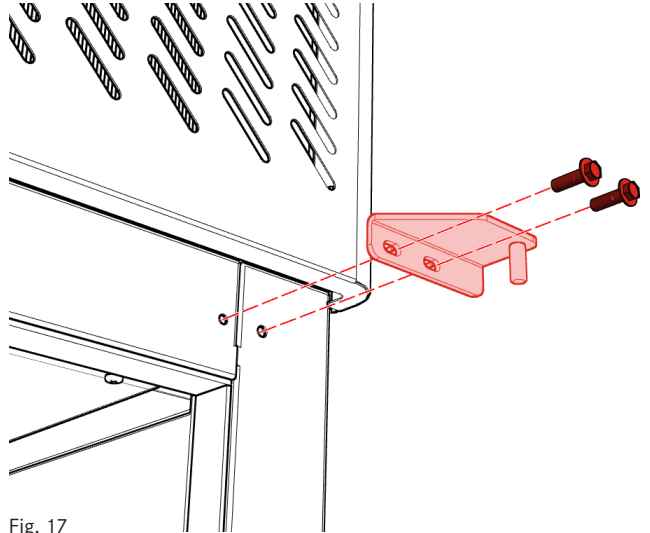


Fig. 17

STEP 4

Turn top-right hinge upside-down and install to bottom-left position using pre-installed screws (Fig. 18).

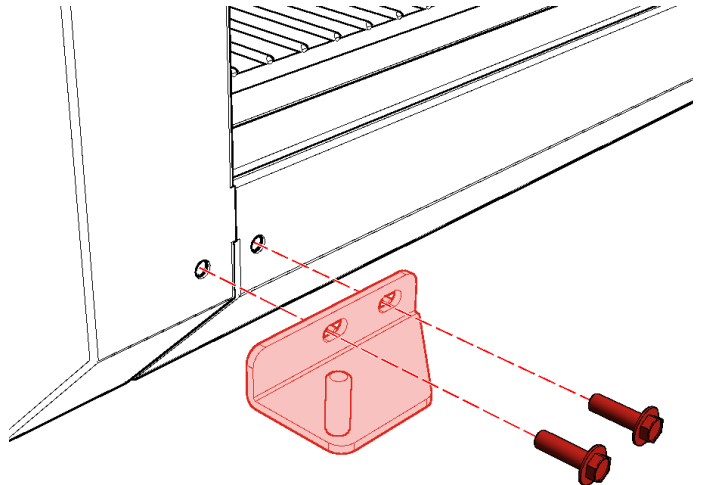


Fig. 18

STEP 5

Turn freezer door upside-down. Place door onto bottom-left hinge (Fig. 19).

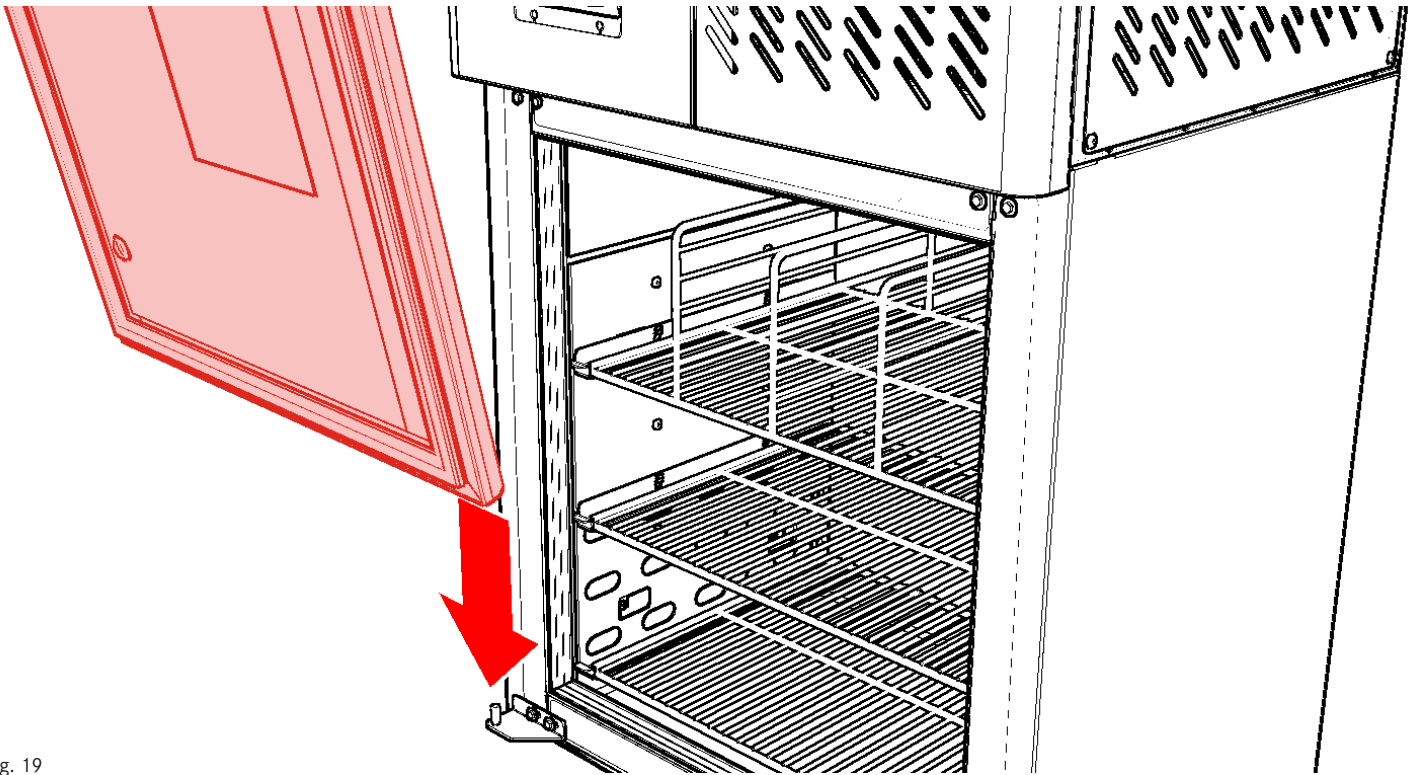


Fig. 19

STEP 6

Continue to support door. Turn bottom-right hinge upside-down and install to top-left position using pre-installed screws (Fig. 20). Confirm that door opens smoothly and that door gasket seals fully against freezer compartment.

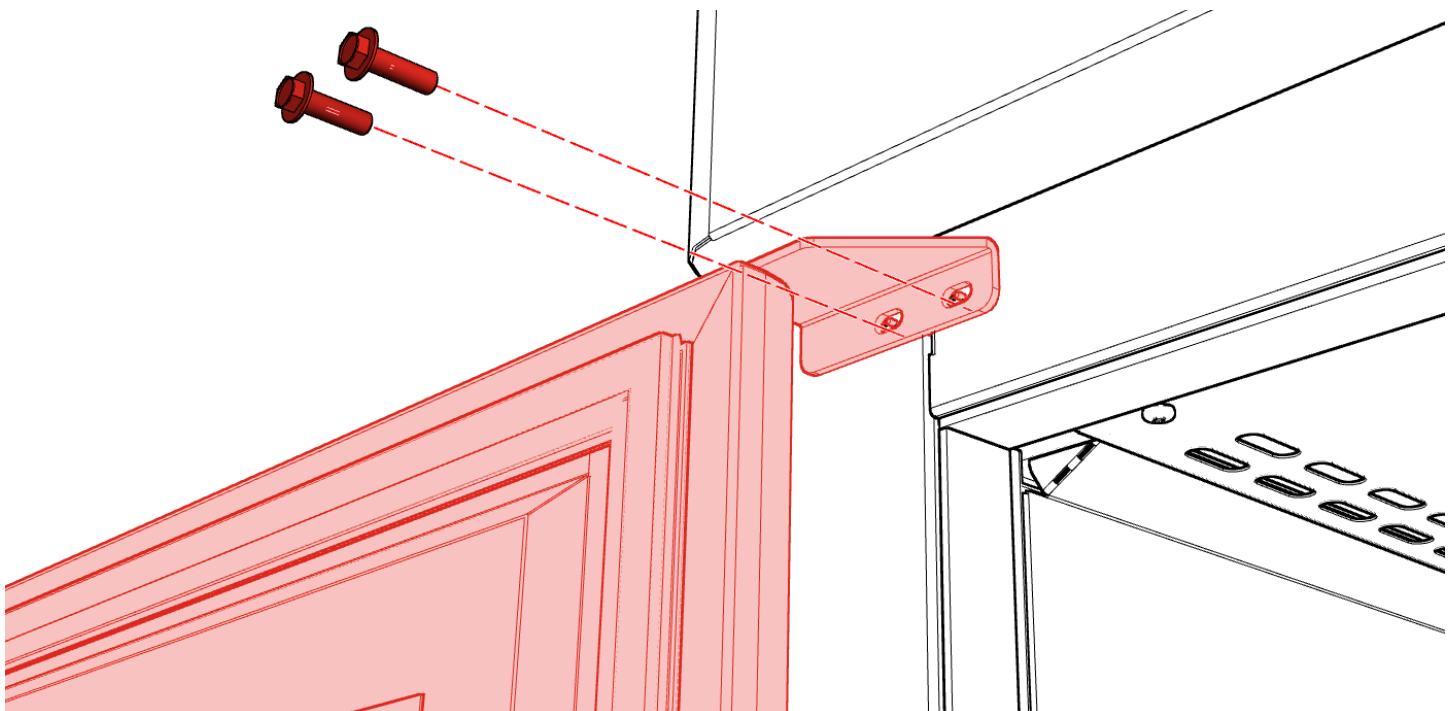


Fig. 20

CONTROLS & SETTINGS

Power ON/OFF Switch

The High Capacity Wall Freezer (HCWF-P) is provided with a main power ON/OFF switch, located next to the temperature controller on the top-left panel at the front of the unit (Fig. 21).

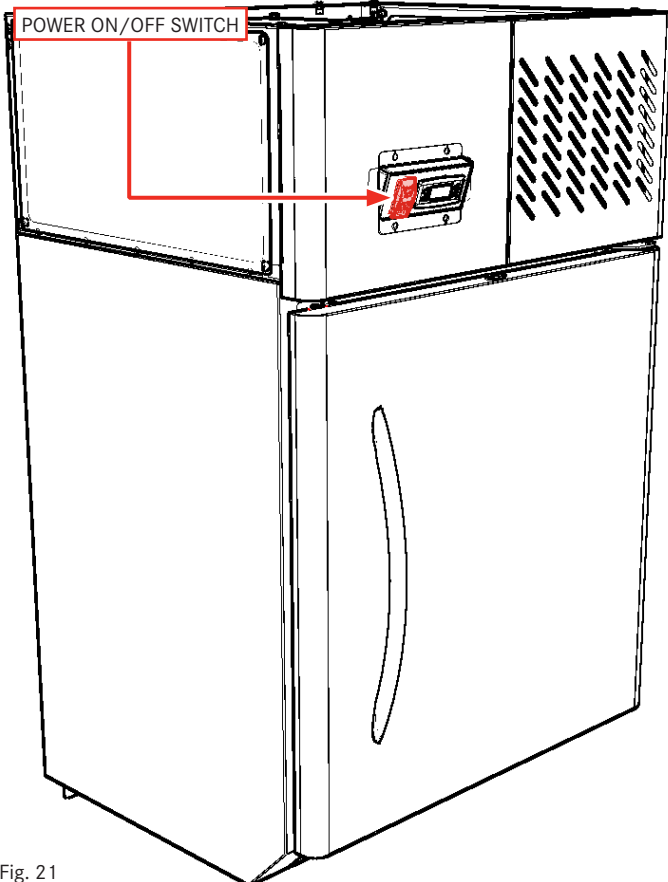


Fig. 21

Factory Preset Temperature and Adjustable Range

The temperatures for the High Capacity Wall Freezer (HCWF-P) are preset at the factory. The preset temperatures are recommended for normal operation. If needed, the temperatures can be adjusted. The factory presets and adjustable ranges are shown in the following table (Table 2).

FACTORY PRESET TEMPERATURE/CONTROL SETTING	ADJUSTABLE TEMPERATURE RANGE
-5° F (-20.5° C)	0° to -10° F (-18° to -23° C)

Table 2

Unit Temperature Adjustment

To adjust the temperatures of the unit:

1. Locate the temperature controller on the top-left panel at the front of the unit (Fig. 22).

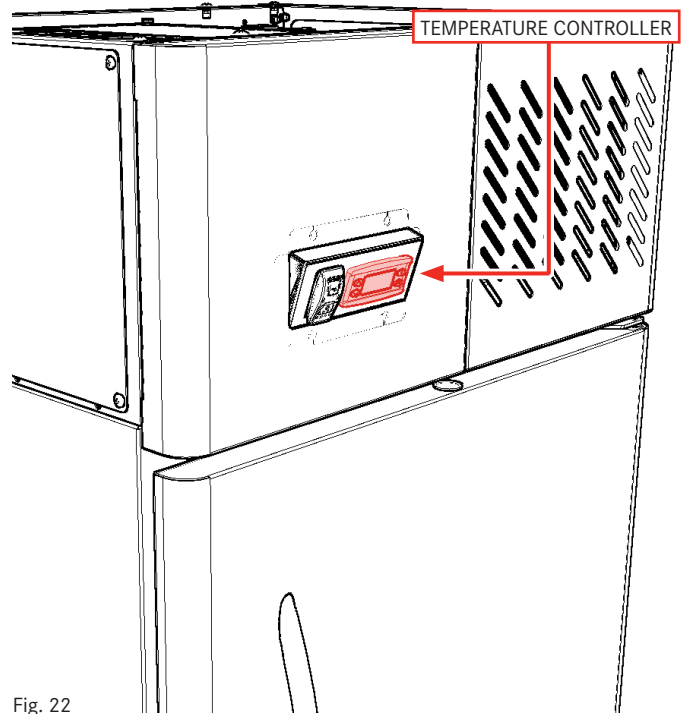


Fig. 22

1. Press SET (Fig. 23).



Fig. 23

2. Press SET again. The current setpoint is displayed. Press the UP and DOWN arrow buttons to adjust the temperature setting (Fig. 24).



Fig. 24

3. Press the POWER button twice to save the new setting. The current temperature will be displayed (Fig. 25).



Fig. 25

4. Monitor the unit to verify that it reaches the desired operating temperature.

Manual Defrost

NOTICE

IMPORTANT OPERATION INFORMATION

The High Capacity Wall Freezer (HCWF-P) is designed for automatic evaporator coil defrosting. Under normal operating conditions, NO MANUAL DEFROSTING is required by the operator.

To initiate a manual defrost:

1. Press and hold down arrow button on display for five (5) seconds (Fig. 26).



Fig. 26

2. Display will read “dEF” (Fig. 27), compressor will shut off, and heater will begin melting excess ice buildup from refrigeration circuit. At end of manual defrost cycle, compressor will restart and display will show the current freezer compartment temperature.



Fig. 27

OPERATION

Shelf Positioning

The High Capacity Wall Freezer (HCWF-P) is designed to provide three (3) shelves for boxed product, including:

- Adjustable top and middle wire shelves for different product and packaging sizes
- A raised, fixed, wireform bottom shelf that ensures proper air circulation even when freezer is fully loaded.

To change the top and middle shelf positions:

1. Remove wireform shelves from shelf mounting brackets, located on either side of freezer compartment interior (Fig. 28). Wash, rinse, and sanitize shelves, and allow to dry.

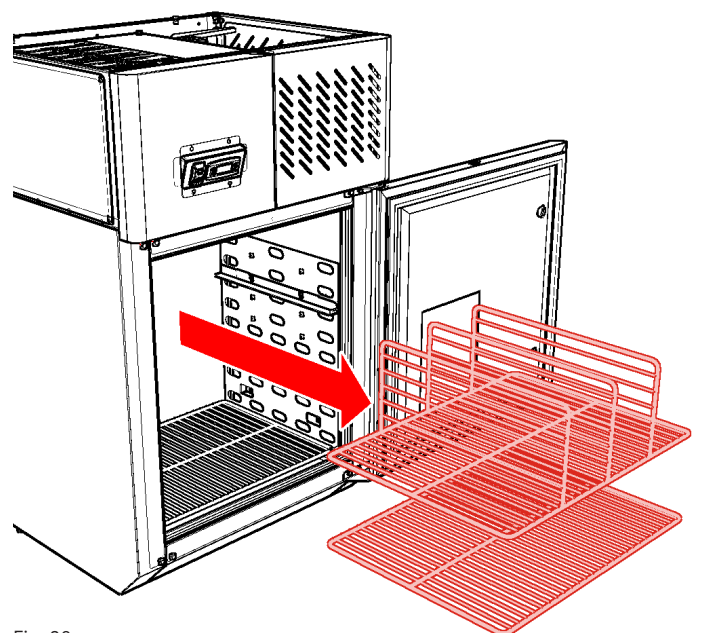


Fig. 28

OPERATION

2. Remove shoulder bolts securing shelf rails to interior walls of freezer (Fig. 29). Set rails aside. Remove pre-installed screws at desired shelf height and replace with shoulder bolts (Fig. 30). Install screws into holes at previous shelf location.

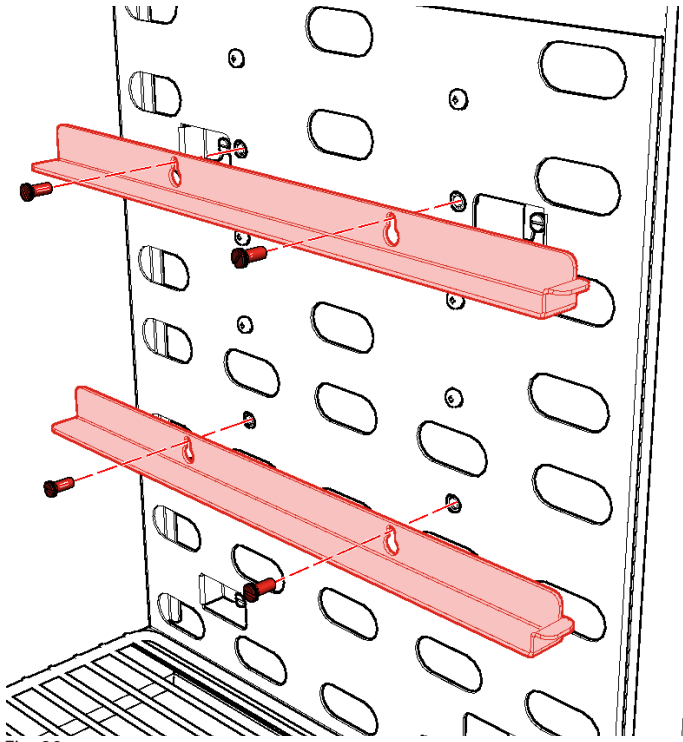


Fig. 29

3. Loosely install shoulder bolts at desired shelf height (Fig. 31). Rest shelf rail keyholes onto shoulder bolts, and tighten bolts until fully secure into freezer walls (Fig. 32).

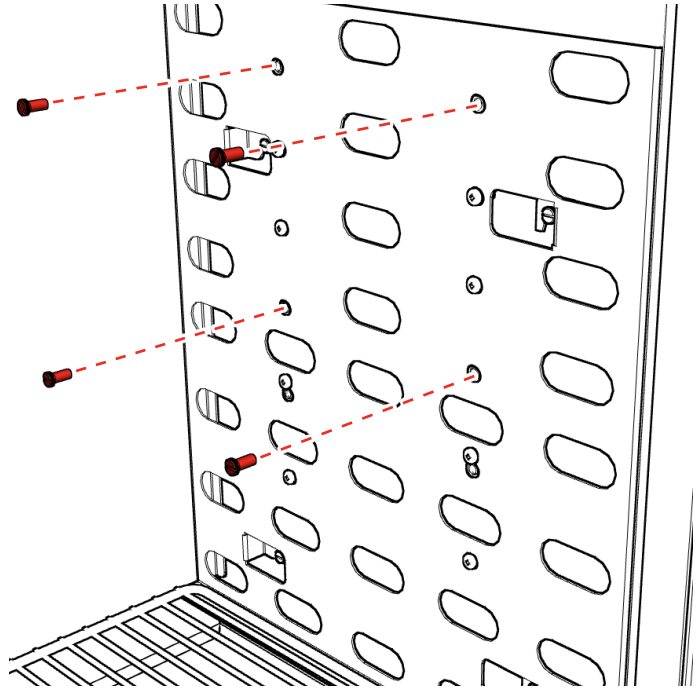


Fig. 31

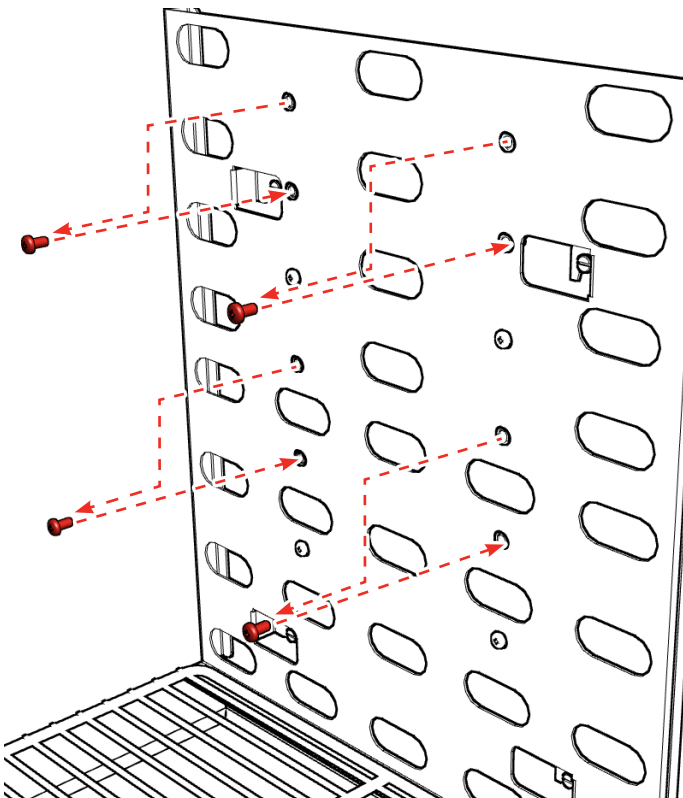


Fig. 30

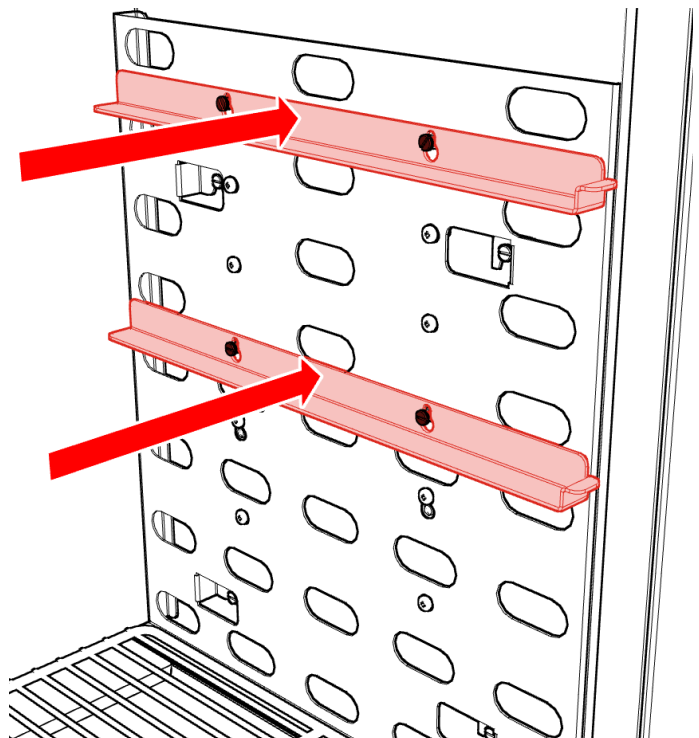


Fig. 32

4. Place wire shelves back onto shelf rails. Ensure shelves are level and that rails are firmly secured against freezer compartment walls.

Product Loading Guidelines

NOTICE

RISK OF LOSS OF PRODUCT

Do NOT overload the High Capacity Wall Freezer (HCWF-P). Unit requires proper air circulation to maintain uniform temperatures. Do NOT let plastic bags, cartons, or other containers to obstruct or block evaporator intake openings inside of freezer compartment.

Care should be taken when loading frozen product into the High Capacity Wall Freezer (HCWF-P), to ensure that freezer compartment temperatures remain within safe product storage range.

Fig. 33 indicates the location of the evaporator intake openings. Ensure that the intake openings are NEVER blocked by packaging or other items.

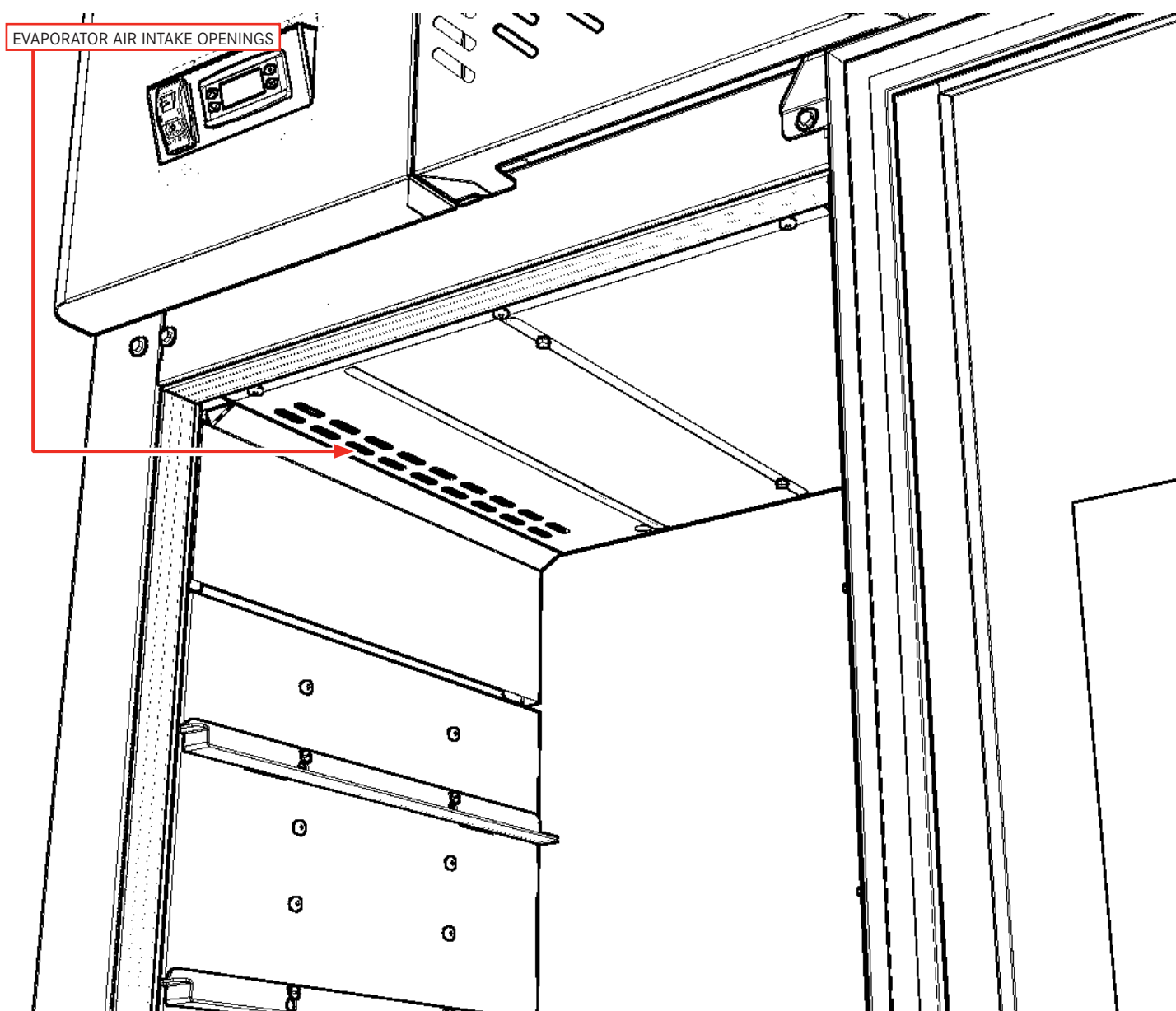


Fig. 33

TROUBLESHOOTING

ISSUE	POSSIBLE CAUSE	REMEDY
Unit does not run.	Rocker switch is in the OFF position.	Toggle the rocker switch to the ON position.
	Electronic controller has been turned off.	Push and hold power button (located in the top-right corner of controller) for 5-7 seconds.
	Circuit breaker has been tripped.	Check circuit breaker to see if it has tripped. Reset if necessary.
Unit is running, but does not reach target operating temperatures.	Store's ambient temperature is too high.	Decrease set point temperature of controller (refer to <i>Unit Temperature Adjustment</i> , page 12).
	Condenser coil is dirty or clogged with debris.	Use a soft bristle brush to clean coils (refer to the store's <i>Planned Maintenance Manual</i>).
	Ice buildup on evaporator coils.	Remove all product, defrost (refer to <i>Manual Defrost</i> , page 13), and allow sufficient time for unit to reach target operating temperature.
Product is above the target temperature.	Store's ambient temperature is too high.	Decrease set point temperature of controller (refer to <i>Unit Temperature Adjustment</i> , page 12).
	Food has not been pre-chilled before placement in the drawers.	Place product into cold storage until product temperature has been brought down to within food safety limits.
Frost building up on opening around door.	Door gasket are damaged or not installed correctly.	Verify that the door gasket is installed correctly and is not cracked or damaged.

If following these steps does not fix the problem,
contact Franke at (800) 537-2653 and press 2 for Technical Support.

Franke Foodservice Solutions (“Franke”) warrants new equipment manufactured in Franke’s own facilities to be free of defects due to poor materials or workmanship for the period of time listed below (following the date of original installation):

Franke-Manufactured Equipment

- All Components (including compressor) - 2 Year Parts and Labor (years 1-2)
- Compressor - 5 Years (parts only years 3-5)

Exclusions: Certain Franke parts that are expendable by nature and need to be replaced frequently may not be covered. Franke is not liable under these warranties for repairs or damages due to improper operation, maintenance or cleaning, attempted repairs or installation by unauthorized persons, alterations, water quality, abuse, fire, flood or acts of God.

Additionally, this warranty may be voided in the case of:

- Failure to follow Franke instructions for use, care or maintenance.
- Removal, alteration or defacing of the Franke-affixed serial number labels.
- Service by a non-authorized service company.
- Use of non-OEM (Original Equipment Manufacturer) parts.

This warranty is conditional upon Franke receiving notice of any defect subject to this warranty within thirty (30) days of its original discovery by the Buyer.

Other Equipment (Not Manufactured by Franke)

- Equipment not manufactured by Franke (commonly known as “buyouts” or purchased goods) and manufactured by other entities is covered by the warranties, if any, of such third-party manufacturers. Where such third party manufacturers provide warranties on any or all portions of said “buyouts,” Franke agrees to transfer all such warranties to the Buyer.

NOTES

For Support, Please Call:
Tel +1-800-537-2653, Option 2
(1-800-5-FRANKE, Option 2)

Franke Foodservice Solutions Inc.
800 Aviation Parkway
Smyrna, TN 37167, USA
www.franke.com

© 2018 Franke Foodservice Solutions, Inc. This media is the confidential and proprietary property of Franke Foodservice Solutions, Inc. and shall not be reproduced in any form of media without the express written permission of Franke. Due to continuous product development, Franke reserves the right to make changes in design and specifications without prior notice. Trademarks used are the property of their respective owners. Printed in the USA under license by Franke Technology and Trademark Ltd., Switzerland.

Document Part # 19011713, Rev. A, November 29, 2018



**RECYCLE DOCUMENTS AND
EQUIPMENT RESPONSIBLY**

FRANKE